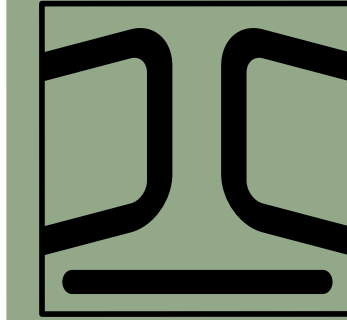


AUTOMATIONS FOR SWINGING GATES

BOB50



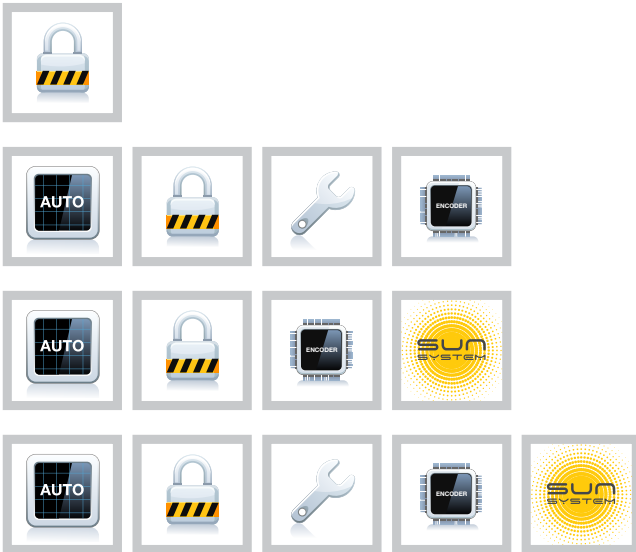
SURFACE MOUNTING

- 230 Vac self-locking electromechanical operator
- Strong definition motor made in Italy, combining high performance, quality and reliability
- Innovative anti-corrosion treatment greatly increasing resistance to atmospheric agents over time.
- Available in two versions: with easily adjustable limit switches in the mechanical stops (BOB50M/BOB5024), and with encoder (BOB50ME). Both versions come with open and close mechanical stops
 - Anti-crushing system for BOB50ME version with encoder

24 Vdc

- 24 Vdc self-locking electromechanical operator for intensive use
- Anti-crushing system with amperometric sensor
 - Prepared for battery back-up system
- Available in BOB5024E version with encoder

HEADY
BRAINY
HEADY24
BRAINY24



Release system with a hexagonal key, protected by an aluminium door opened with a customised key.



Innovative FACE pair of gears. Mechanics all in metal (Patent Pending)



High quality materials, gear and female screw in bronze, worm screw in steel

NOTES:

.....

.....

.....

.....

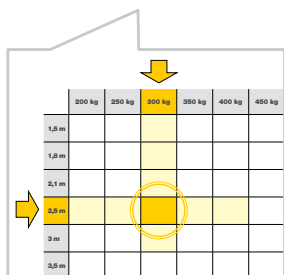
.....

.....

BOB:

GUIDE FOR CHOOSING

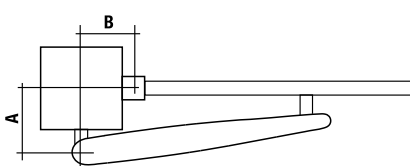
Choose the weight and the length in the chart and find out the most suitable model.



leaf max weight

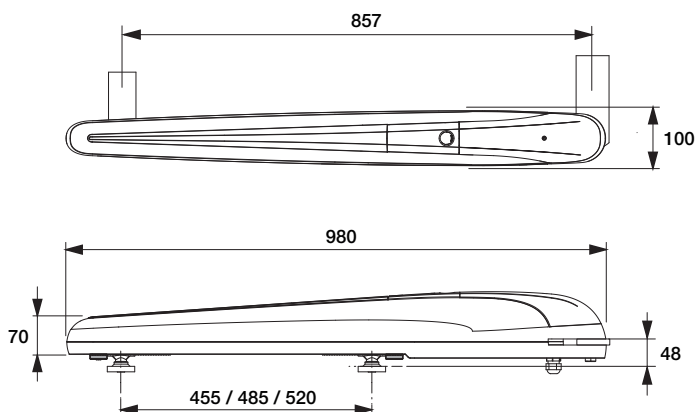
gate length	leaf max weight									
	200 kg	250 kg	300 kg	350 kg	400 kg	450 kg	500 kg	600 kg	700 kg	800 kg
1,5 m	BOB21M	BOB21M	BOB21M	BOB21M	BOB30M*	BOB50M	BOB50M	BOB50M	BOB50M	BOB50M
	BOB2124	BOB2124	BOB2124	BOB2124	BOB3024	BOB5024	BOB5024	BOB5024	BOB5024	BOB50M
1,8 m	BOB21M	BOB21M	BOB21M	BOB30M*	BOB50M	BOB50M	BOB50M	BOB50M	BOB50M	BOB50M
	BOB2124	BOB2124	BOB2124	BOB3024	BOB5024	BOB5024	BOB5024	BOB5024	BOB5024	BOB50M
2,1 m	BOB21M	BOB21M	BOB30M*	BOB50M	BOB50M	BOB50M	BOB50M	BOB50M	BOB50M	BOB50M
	BOB2124	BOB2124	BOB3024	BOB5024	BOB5024	BOB5024	BOB5024	BOB5024	BOB5024	BOB50M
2,5 m	BOB30M	BOB30M	BOB50M	BOB50M	BOB50M	BOB50M	BOB50M	BOB50M	BOB50M	BOB50M
	BOB50M	BOB50M	BOB3024	BOB5024	BOB5024	BOB5024	BOB5024	BOB5024	BOB5024	BOB50M
3 m	BOB30M	BOB50M	BOB50M	BOB50M	BOB50M	BOB50M	BOB50M	BOB50M	BOB50M	BOB50M
	BOB50M	BOB5024	BOB5024	BOB5024	BOB5024	BOB5024	BOB5024	BOB5024	BOB50M	
3,5 m	BOB50M	BOB50M	BOB50M	BOB50M	BOB50M	BOB50M	BOB50M			
	BOB5024	BOB5024	BOB5024	BOB5024	BOB5024	BOB5024				
4 m	BOB50M*	BOB50M*	BOB50M*	BOB50M*	BOB50M*	BOB50M*				
	BOB5024*	BOB5024*	BOB5024*	BOB5024*						
4,5 m	BOB50M*	BOB50M*	BOB50M*	BOB50M*	BOB50M*					
	BOB5024*	BOB5024*	BOB5024*							
5 m	BOB50M*	BOB50M*	BOB50M*	BOB50M*						
	BOB5024*	BOB5024*								

	A	B
BOB50M/BOB5024	150÷225	150÷225



INSTALLATION LIMITS	BOB50M/E	BOB5024/E
2,5m	800 kg	600 kg
3,0m	700 kg	600 kg
3,5m	500 kg	400 kg
4,0m *	450 kg	350 kg
4,5m *	400 kg	300 kg
5,0m *	350 kg	250 kg

* For leaves longer than 4m we advise to install an electric lock



SETS AVAILABLE

KBOB50M	12 Sets per pallet
KBOB50ME	12 Sets per pallet
KBOB5024	12 Sets per pallet
KBOB5024E	12 Sets per pallet



TECHNICAL DATA

	BOB50M	BOB50ME	BOB5024	BOB5024E
Power supply	230 Vac	230 Vac	230 Vac	230 Vac
Motor supply	230 Vac	230 Vac	24 Vdc	24 Vdc
Max. absorbed current	1,4 A	1,4 A	6,7 A	6,7 A
Thrust	3500 N	3500 N	2200 N	2200 N
Opening time	26"	26"	21"	21"
Operation cycle	30%	30%	intensive use	intensive use
Standard stroke	455 mm	455 mm	455 mm	455 mm
Max stroke	520 mm	520 mm	520 mm	520 m
Protection level	IP 44	IP 44	IP 44	IP 44
Encoder	No	Yes	No	Yes
Operating temp.	-20°C /+50°C	-20°C /+50°C	-20°C /+50°C	-20°C /+50°C
Weight	11,6 Kg	11,6 Kg	11,6 Kg	11,6 Kg
Items no. per pallet	40	40	40	40